

Surface Mount Fuse, 1.05 x 0.55 mm, Super-Quick-Acting FF, 32 VDC



UL 248-14 · 32VDC · Super-Quick-Acting FF



### Description

- UL characteristic
- Low melting I<sup>2</sup>t-values, fast interruption

### Standards

- UL 248-14
- CSA C22.2 no. 248.14

### Approvals

- UL File Number: E41599

### Applications

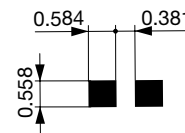
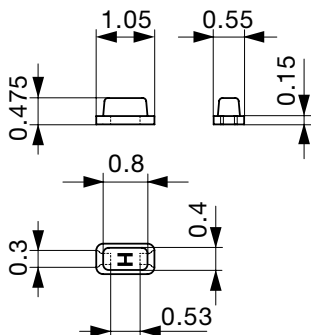
- Secondary Protection DC and AC
- Circuits without inrush
- Semiconductor Protection
- Digital Consumer Electronics

### Technical Data

Rated Voltage	24 - 32VDC	Soldering Methods	Reflow
Rated Current	0.375 - 5 A	Solderability	245 °C / 3sec acc. to IEC 60068-2-58, Test Td
Breaking Capacity	35A	Resistance to Soldering Heat	260 +0/-5 °C / 30sec acc. to IPC/JEDEC J-STD-020D, 1 cycle
Characteristic	Super-Quick-Acting FF	Flammability	min. UL 94V-1 (acc. to EIA/IS-722, Test 4.12)
Mounting	PCB, SMT		
Admissible Ambient Air Temp.	-55 °C to 125 °C		
Climatic Category	55/125/21 acc. to IEC 60068-1		
Material: Housing	Thermoset		
Material: Terminals	Gold-Plated Copper Alloy		
Unit Weight	0.004 g		
Storage Conditions	0 °C to 60 °C, max. 70% r.h.		
Product Marking	Letter (see variants)		

### Dimensions

Length  $H$  1.05 mm



Solder pads

### Pre-Arcing Time

Rated Current  $I_n$     1.0 x  $I_n$  min    2.0 x  $I_n$  max

0.375 A - 5 A	4 h	5 s
---------------	-----	-----

## Variants

Rated Current [A]	Rated Voltage [VDC]	Marking	Breaking Capacity	Voltage Drop 1.0 In max. [mV]	Voltage Drop 1.0 In typ. [mV]	Cold Resistance typ. [mΩ]	Melting I <sup>2</sup> t 8.0 In typ. [A <sup>2</sup> s]	UL US CCC	Order Number
0.375	32	E	1)	90	70	173	0.003	● ●	3414.0112.xx
0.5	32	F	1)	90	67	124	0.004	● ●	3414.0113.xx
0.75	32	G	1)	90	63	78	0.009	● ●	3414.0114.xx
1	32	H	1)	90	63	57	0.016	● ●	3414.0115.xx
1.5	32	K	1)	90	62	37	0.029	● ●	3414.0117.xx
2	32	N	1)	90	58	26	0.044	● ●	3414.0119.xx
2.5	32	O	1)	90	59	21	0.06	● ●	3414.0120.xx
3	32	P	1)	90	52	17	0.098	● ●	3414.0121.xx
4	32	S	1)	90	60	13	0.113	● ●	3414.0123.xx
5	24	T	2)	90	52	10	0.288	● ●	3414.0124.xx

1) 35 A @ 32 VDC

2) 35 A @ 24 VDC

## Packaging Unit

- .xx = .22 Blister Tape 18 cm Reel (1000 pcs.)
- .xx = .24 Blister Tape 18 cm Reel (5000 pcs.)
- .xx = .26 Blister Tape 33 cm Reel (15000 pcs.)

## Time-Current Curves

